



THERMODYNE STEAM TRAP

MODEL P46SRN FORGED STEEL

THERMODYNAMIC DISC TRAP WITH THERMOSTATIC AIR VENTING

Features

Steam trap of weldable carbon steel for steam mains, tracers and coils.

1. Inline replaceable valve seat module.
2. Air jacketing reduces no-load cycling.
3. Lapped disc provides steam-tight seal without air binding.
4. Built-in screen for trouble-free service.
5. Bimetal ring provides quick thermostatic air venting.
6. Hardened stainless steel working surfaces.



Specifications

Model		P46SRN		
Connection		Screwed	Socket Welded	Flanged
Size		1/2", 3/4", 1"		
Maximum Operating Pressure (barg)	PMO	46		
Minimum Operating Pressure (barg)		0.3		
Maximum Operating Temperature (°C)	TMO	400		
Maximum Back Pressure		80% of Inlet Pressure		

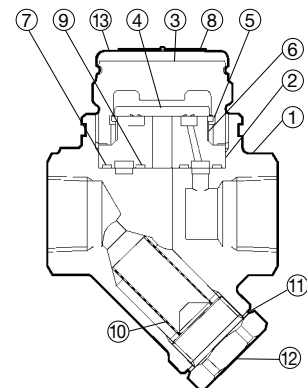
PRESSURE SHELL DESIGN CONDITIONS (**NOT** OPERATING CONDITIONS): Maximum Allowable Pressure (barg) PMA: 50 1 bar = 0.1 MPa
Maximum Allowable Temperature (°C) TMA: 400



To avoid abnormal operation, accidents or serious injury, DO NOT use this product outside of the specification range. Local regulations may restrict the use of this product to below the conditions quoted.

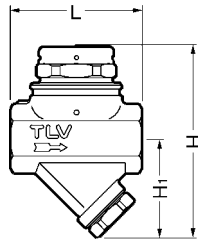
No.	Description	Material	DIN*	ASTM/AISI*
①	Body	Carbon Steel C22.8	1.0460	A105
② ^R	Module Valve Seat	Stainless Steel SUS420F	1.4028	AISI420F
③ ^R	Cover	Stainless Steel SUS420F2	—	AISI420F2
④ ^R	Disc	Stainless Steel SUS420J2	1.4031	AISI420
⑤ ^R	Disc Holder Ring	Stainless Steel SUS420J2	1.4031	AISI420
⑥ ^R	Air Vent Ring	Bimetal	—	—
⑦ ^{MR}	Outer Module Gasket	Graphite/Stainl. Stl. SUS316L	- /1.4404	- /AISI316L
⑧	Nameplate	Stainless Steel SUS304	1.4301	AISI304
⑨ ^{MR}	Inner Module Gasket	Graphite/Stainl. Stl. SUS316L	- /1.4404	- /AISI316L
⑩ ^R	Screen inside/outside	Stainless Steel SUS304/430	1.4301/1.4016	AISI304/430
⑪ ^{MR}	Screen Holder Gasket	Soft Iron SUYP	1.1121	AISI1010
⑫ ^R	Screen Holder	Cast Stainl. Steel A351 Gr.CF8	1.4312	—
⑬ ^R	Cap	Stainless Steel SUS304	1.4301	AISI304
⑭	Flange**	Carbon Steel C22.8/A105	1.0460/1.0460	A105/ —

* Equivalent materials ** Shown overleaf, material depends on flange specifications
Replacement kits available: (M) maintenance parts, (R) repair parts



Dimensions

● **P46SRN**
Screwed

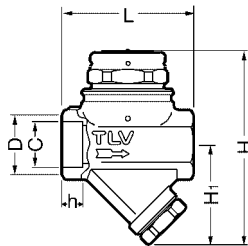


P46SRN Screwed* (mm)

Size	L	H	H ₁	Weight (kg)
1/2"	80	120	62	1.2
3/4"				
1"	88	125		1.4

* BSP DIN 2999, other standards available

● **P46SRN**
Socket Welded

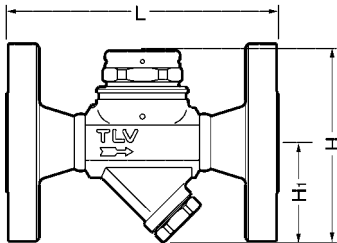


P46SRN Socket Welded* (mm)

DN	L	H	H ₁	φ D	φ C	h	Weight(kg)
15	80	120	62	30	21.8	13	1.2
20				36	27.2		
25	88	125		44	33.9		1.4

* ASME B16.11-2005, other standards available

● **P46SRN**
Flanged

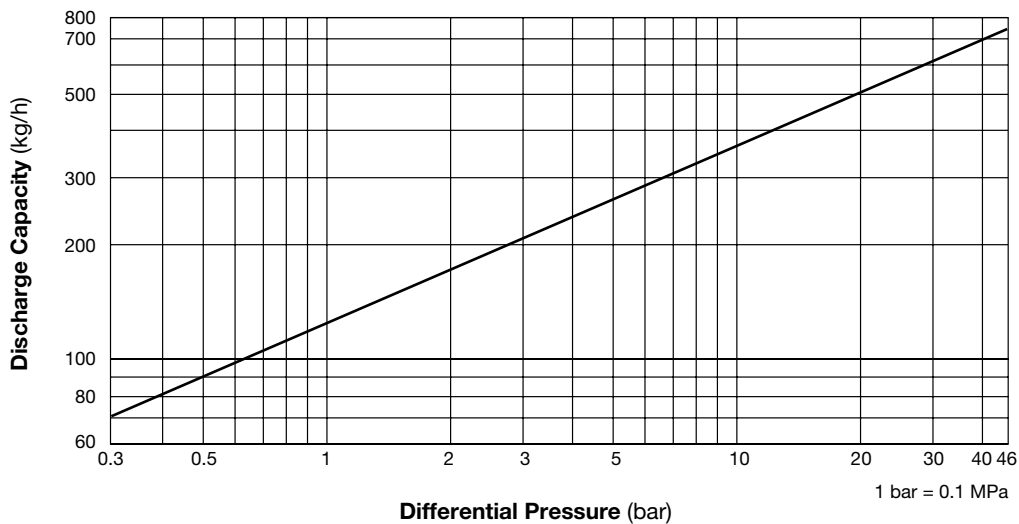


P46SRN Flanged (mm)

DN	L				H	H ₁	Weight* (kg)
	DIN 2501	ASME Class					
	PN25/40	150RF	300RF	600RF			
15	150	140	140	140	120	62	2.7
20		165	165	165			3.7
25	160	210	210	210			5.0

Other standards available, but length and weight may vary
* Weight is for DIN PN 25/40

Discharge Capacity



1. Differential pressure is the difference between the inlet and outlet pressure of the trap.
2. Recommended safety factor: at least 2.

Manufacturer
TLV® CO., LTD.
Kakogawa, Japan
is approved by LRQA Ltd. to ISO 9001/14001

ISO 9001/ISO 14001

